

Navigation speed assessment on Danube - Black Sea channel

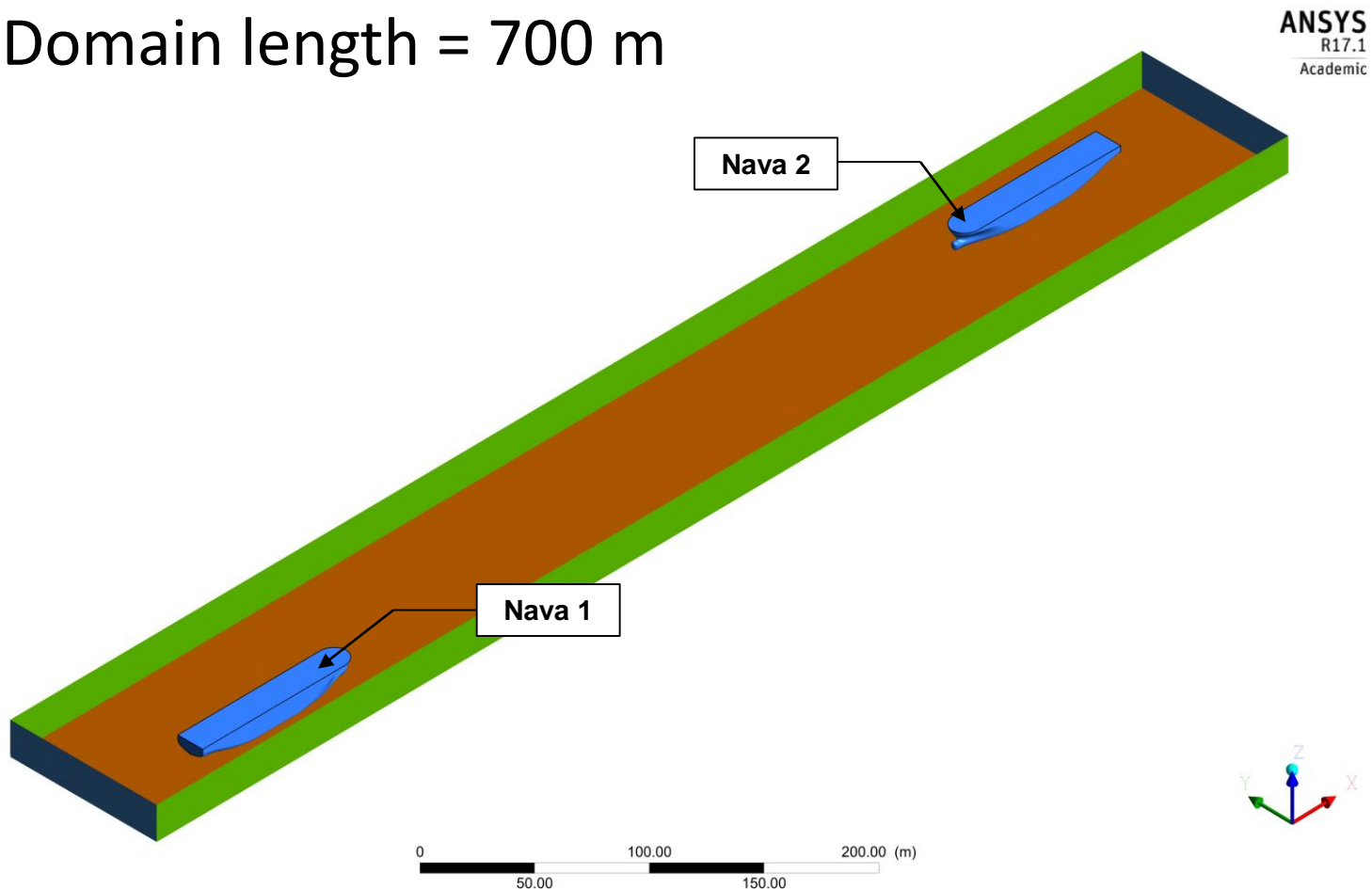
Prof.dr.ing. Florin Popescu

Dr.ing. Razvan Mahu

Prof.dr.ing. Ion Ion

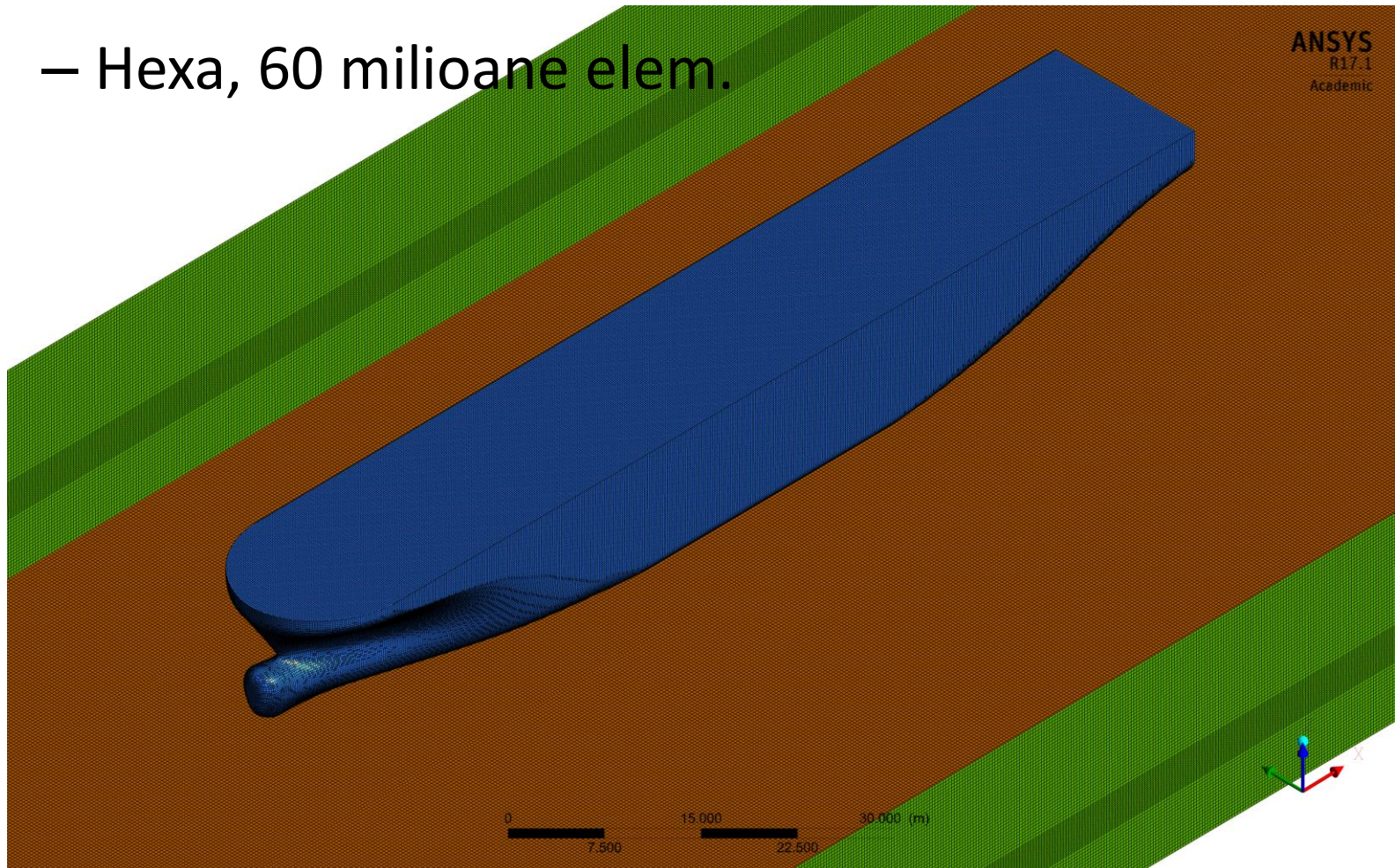
Computation domain

- Isometric view
 - Domain length = 700 m



Computation domain

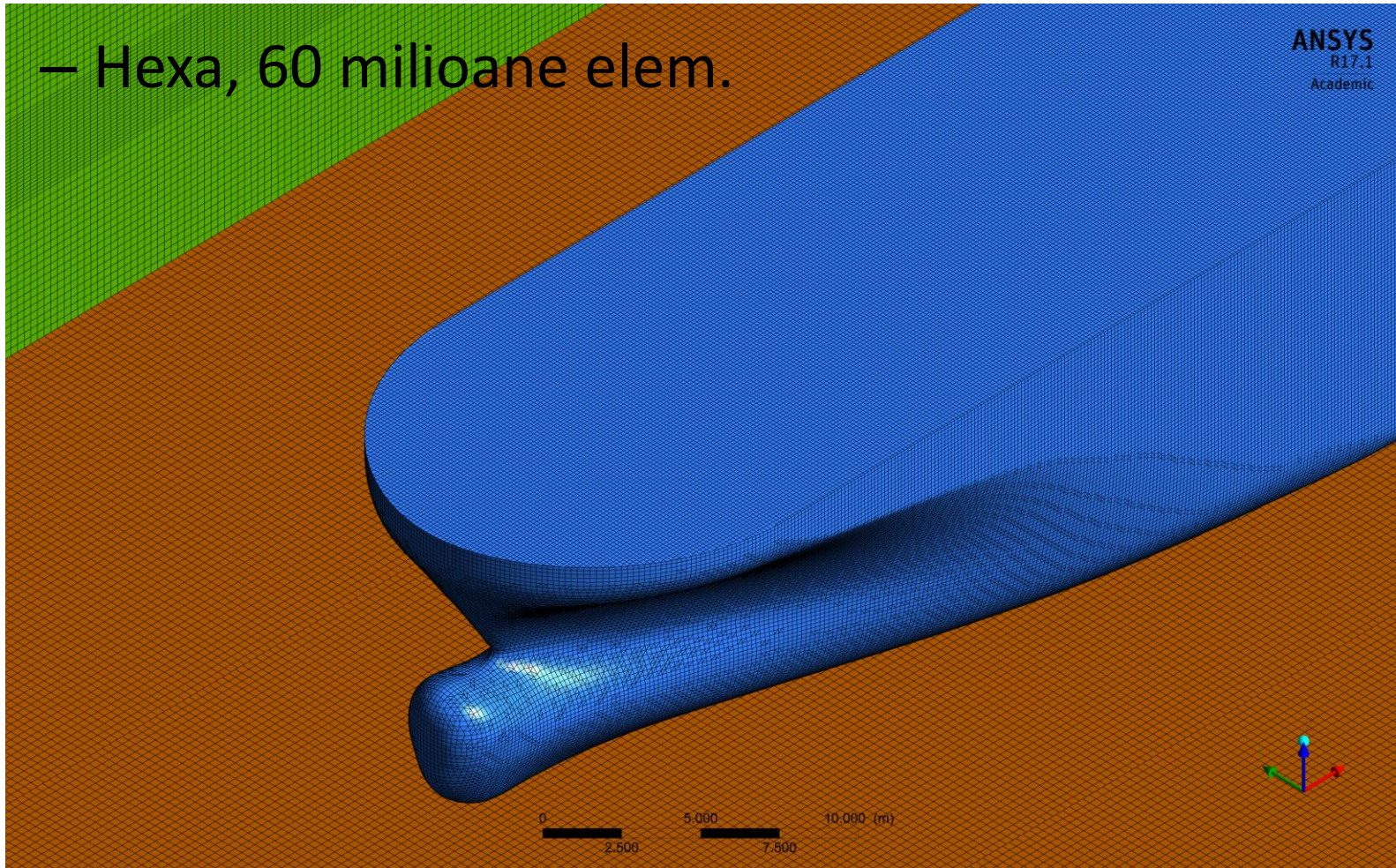
- Discretization
 - Hexa, 60 milioane elem.



Computation domain

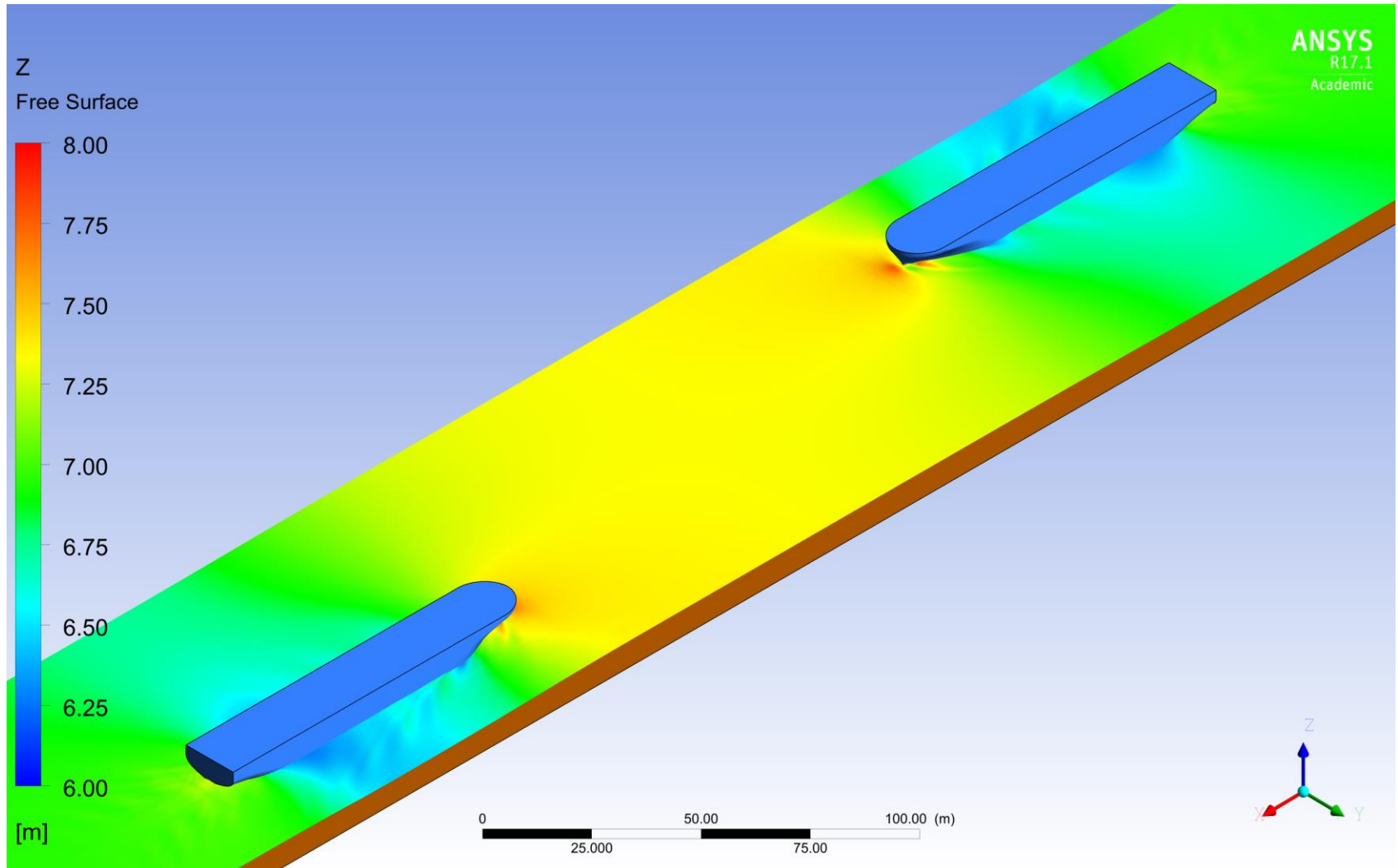
- Discretization

- Hexa, 60 milioane elem.



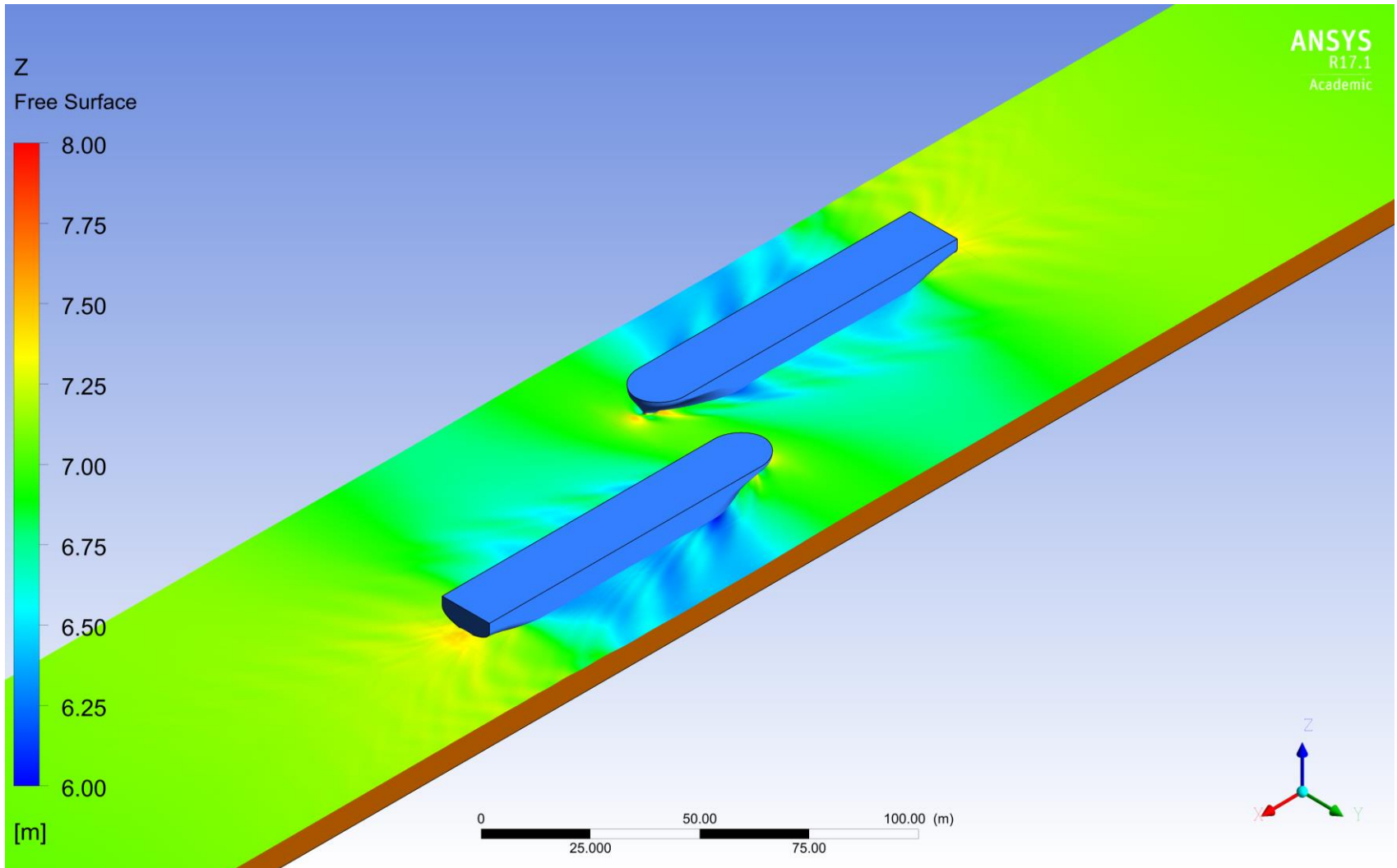
Results

- Free surface (Z), $t = 60$ s



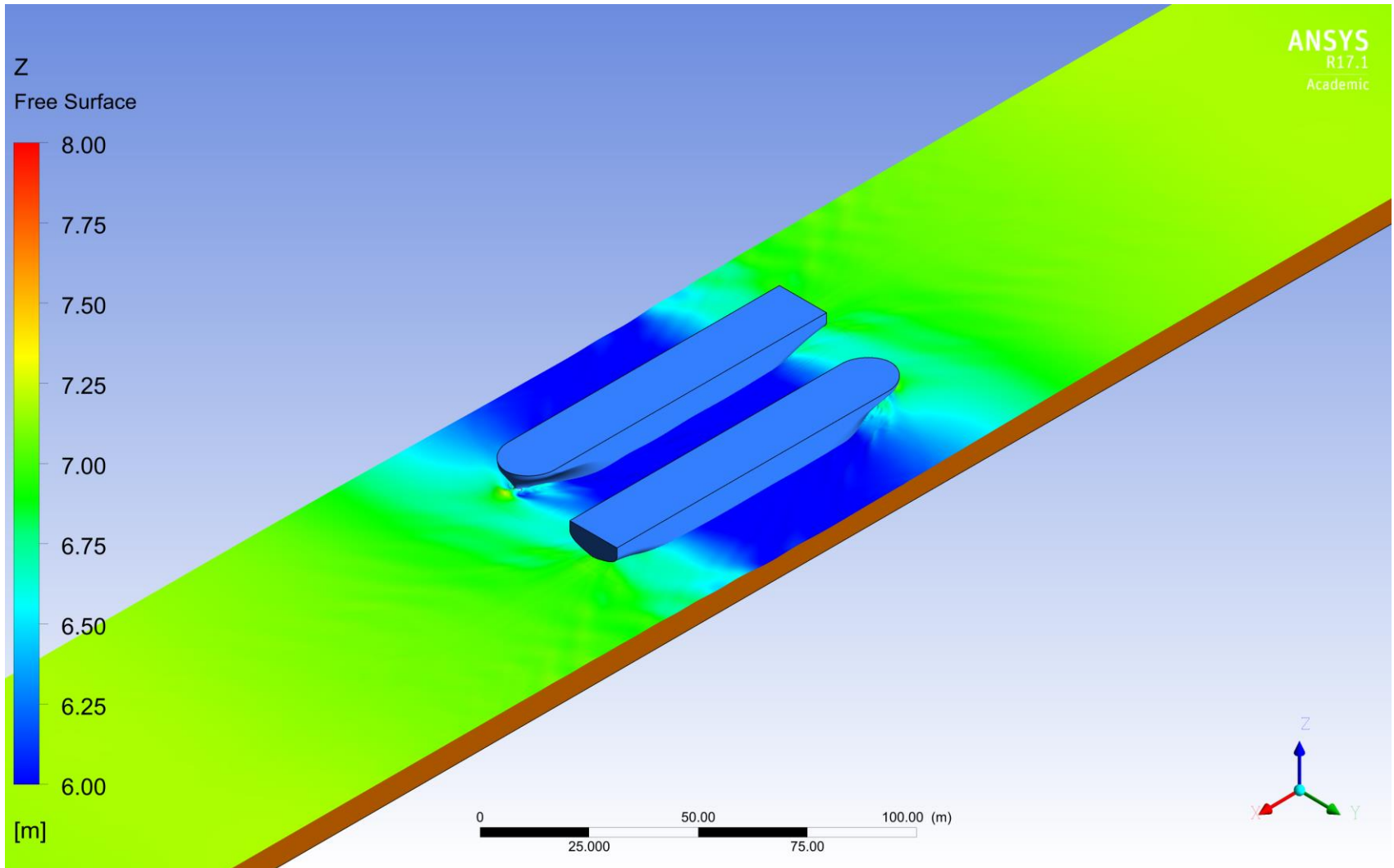
Results

- Free surface (Z), $t = 80$ s



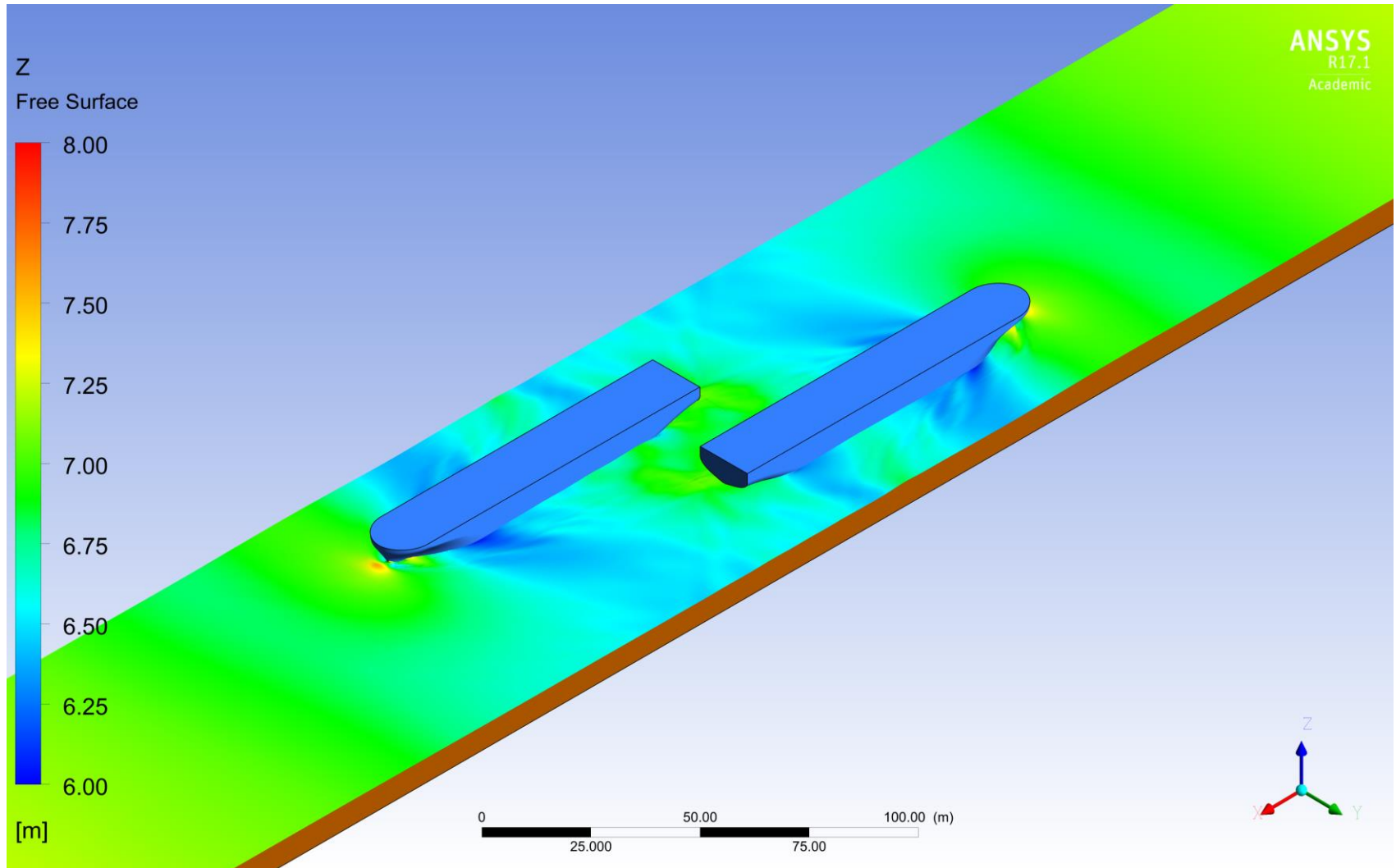
Results

- Free surface (Z), $t = 90$ s



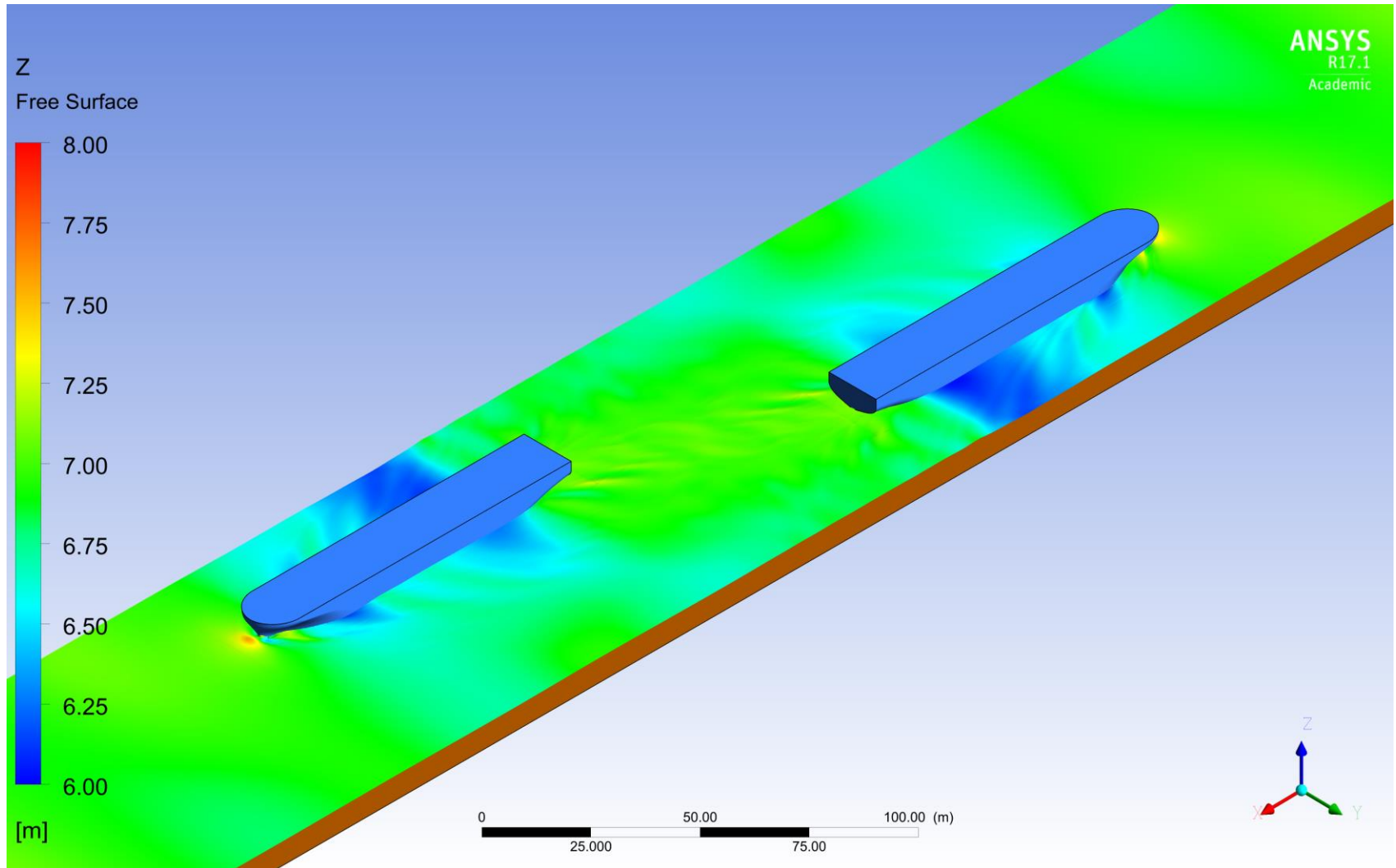
Results

- Free surface (Z), $t = 100$ s



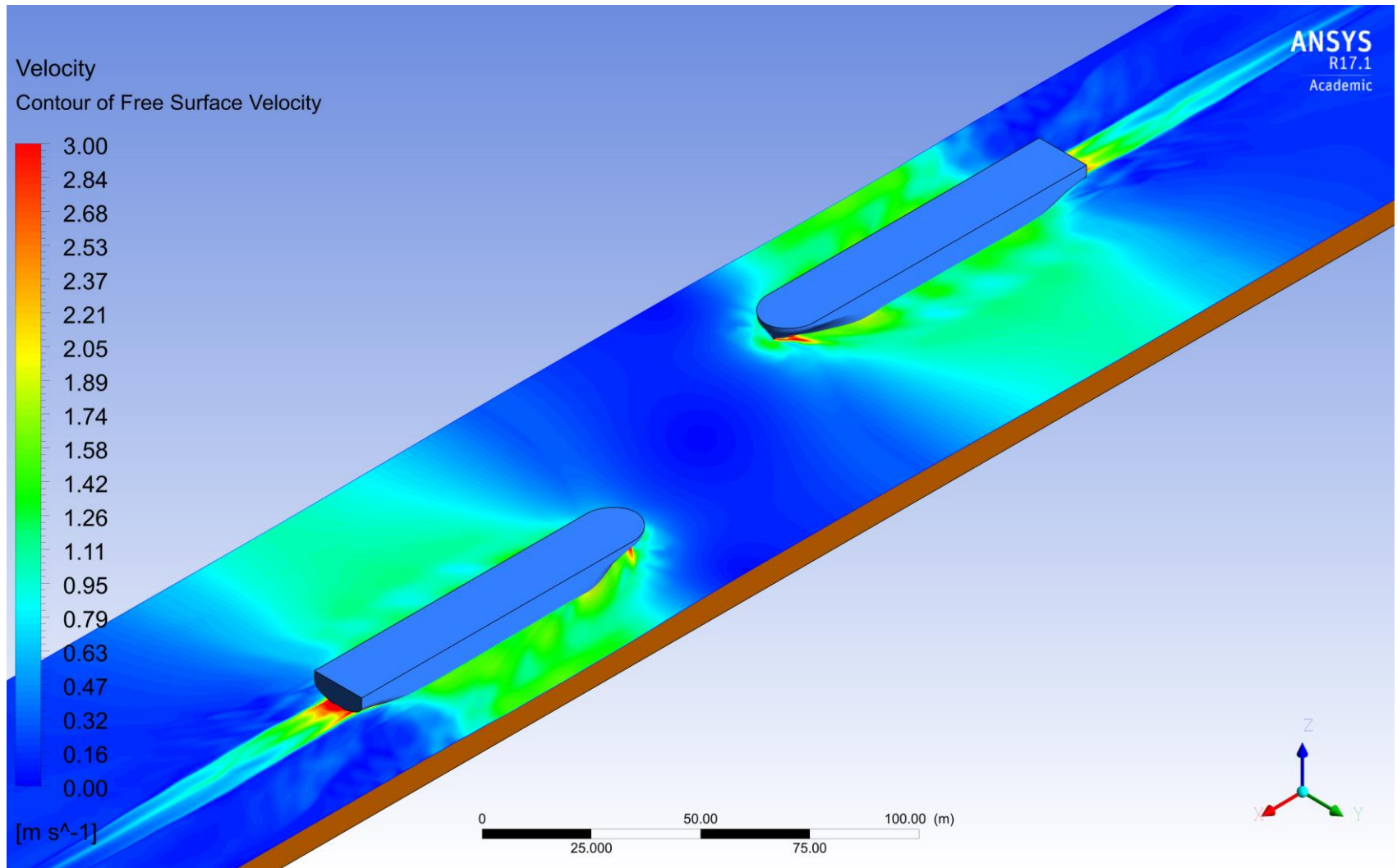
Results

- Free surface (Z), $t = 110$ s



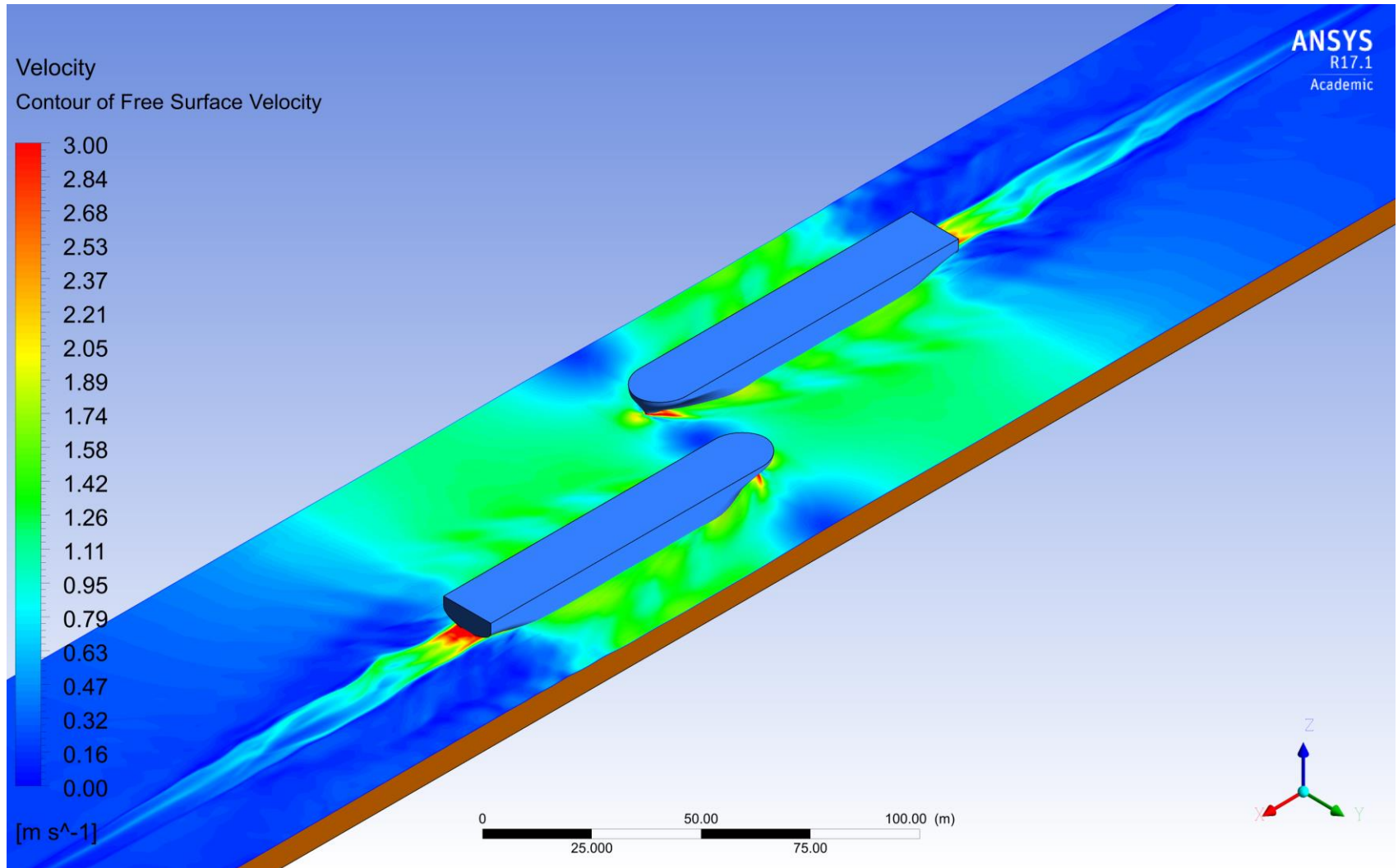
Results

- Velocity on free surface, $t = 70$ s



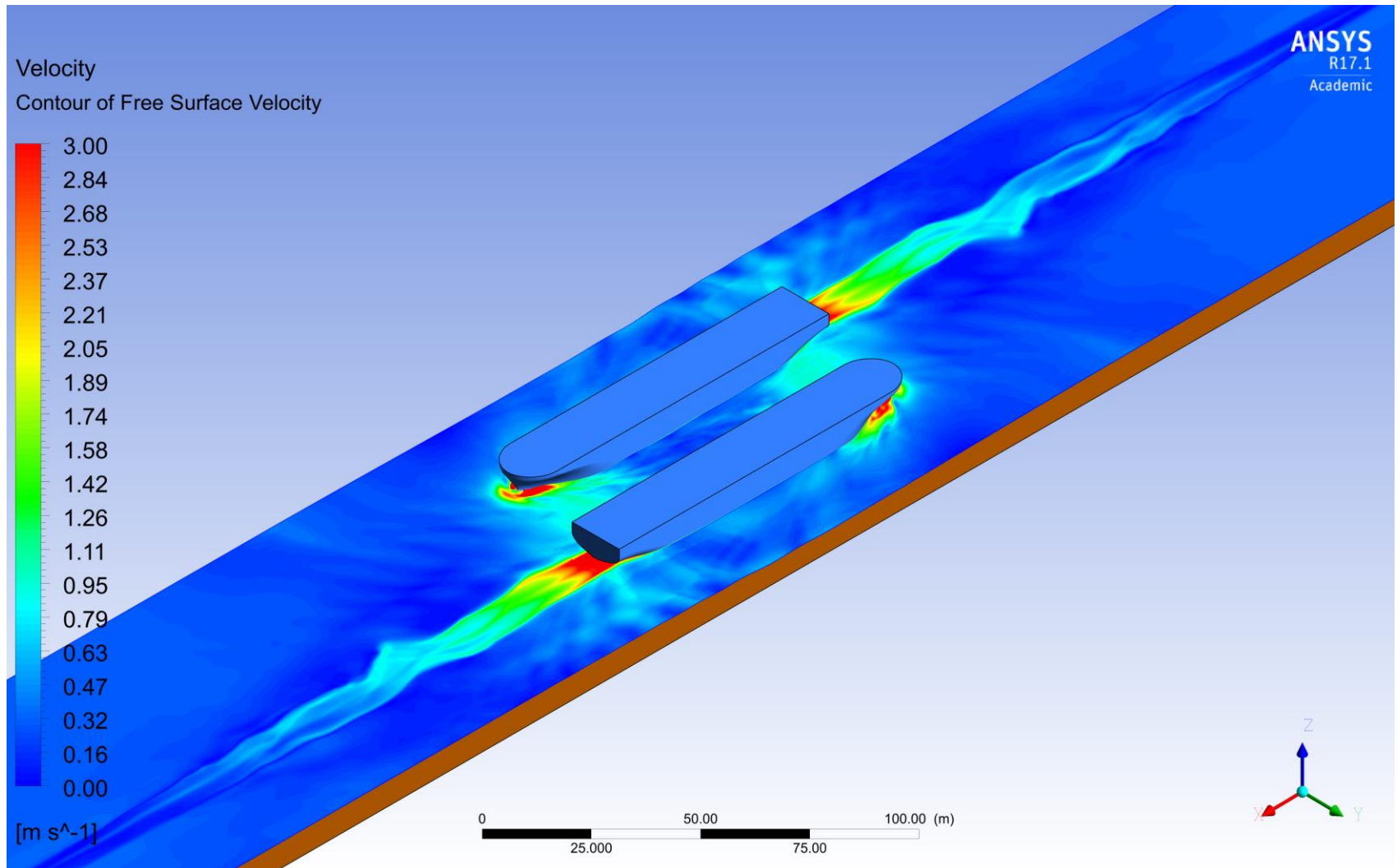
Results

- Velocity on free surface, $t = 80$ s



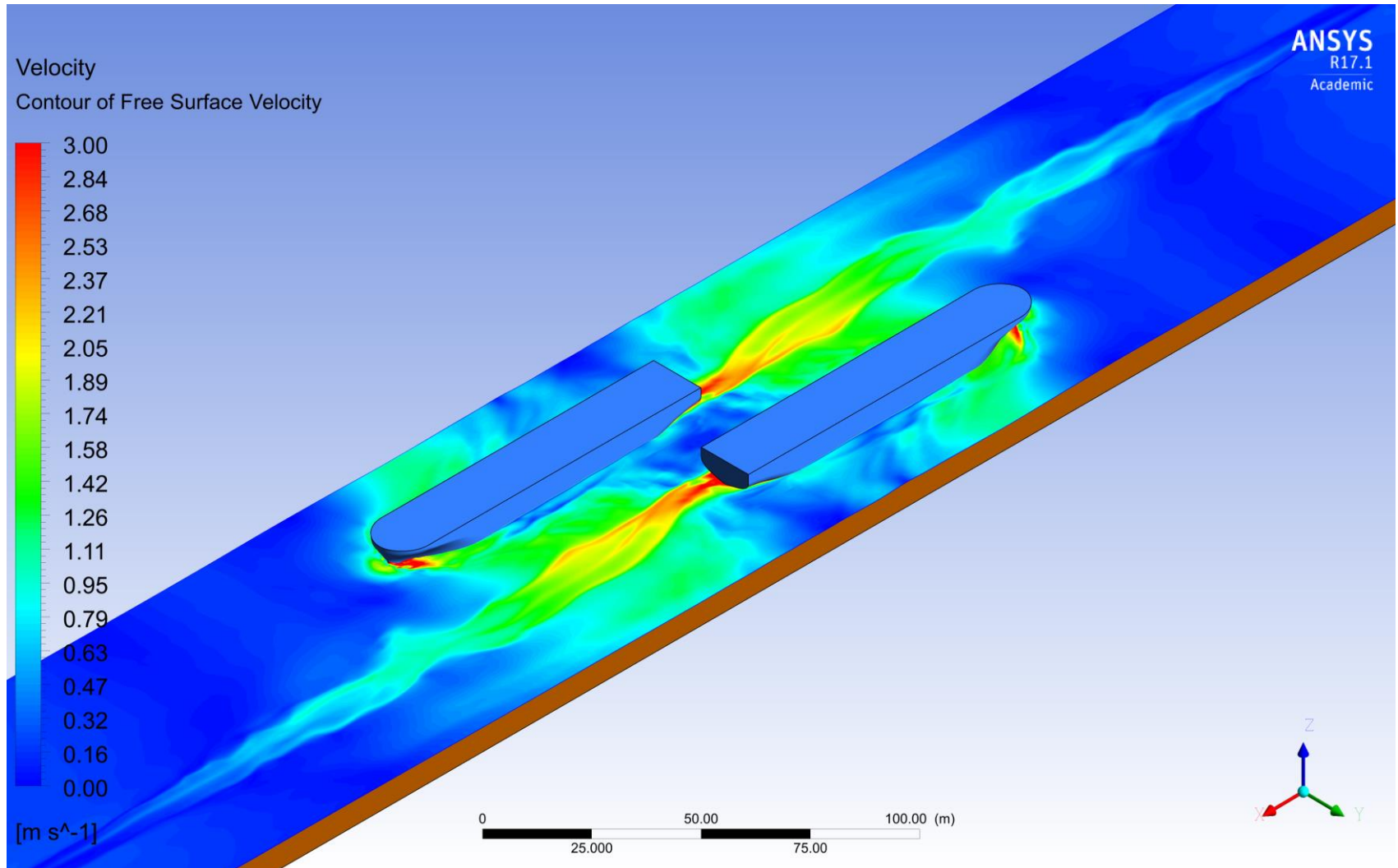
Results

- Velocity on free surface, $t = 90$ s



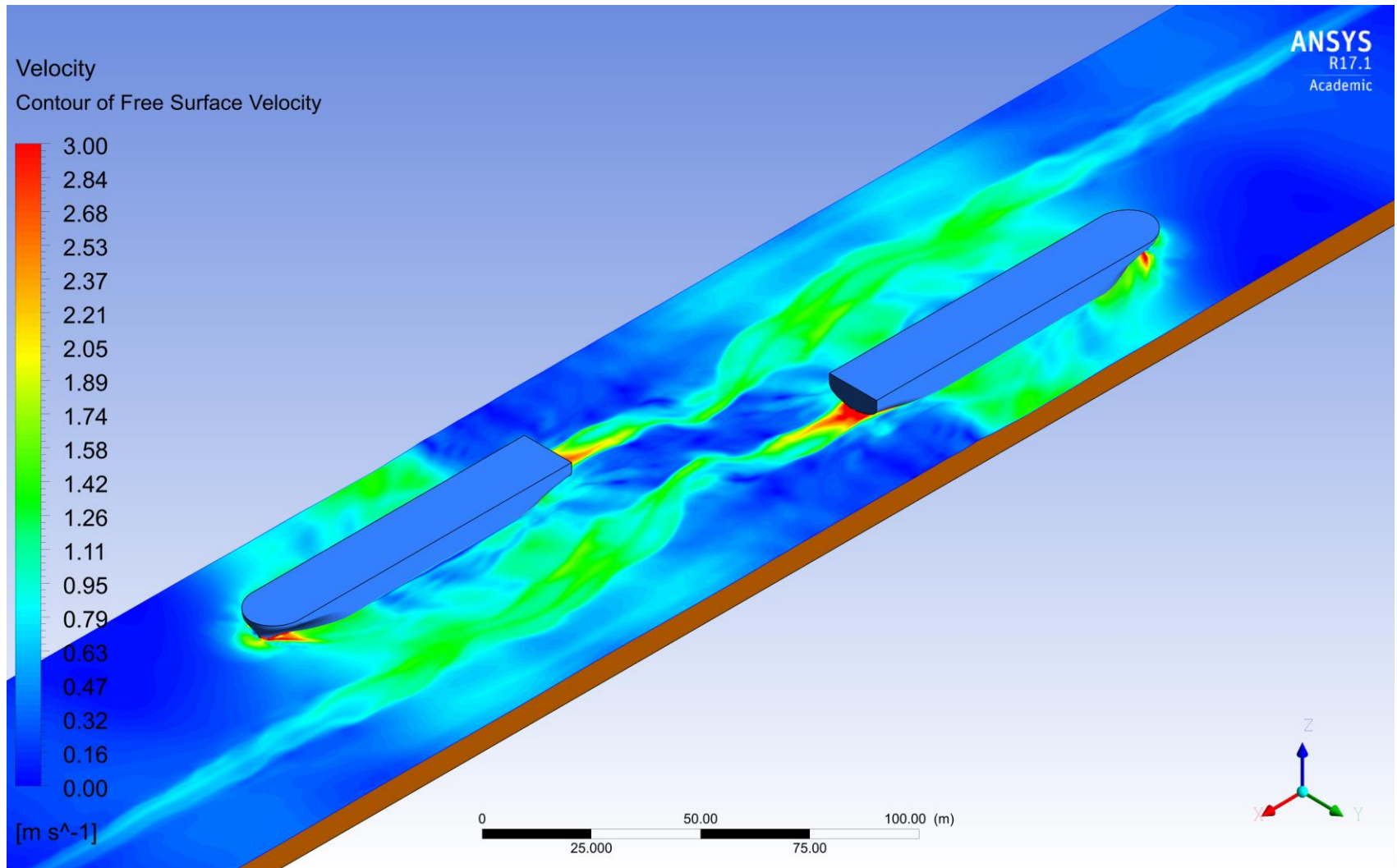
Results

- Velocity on free surface, $t = 100$ s



Results

- Velocity on free surface, $t = 110$ s



Results

- Velocity on free surface, $t = 120$ s

